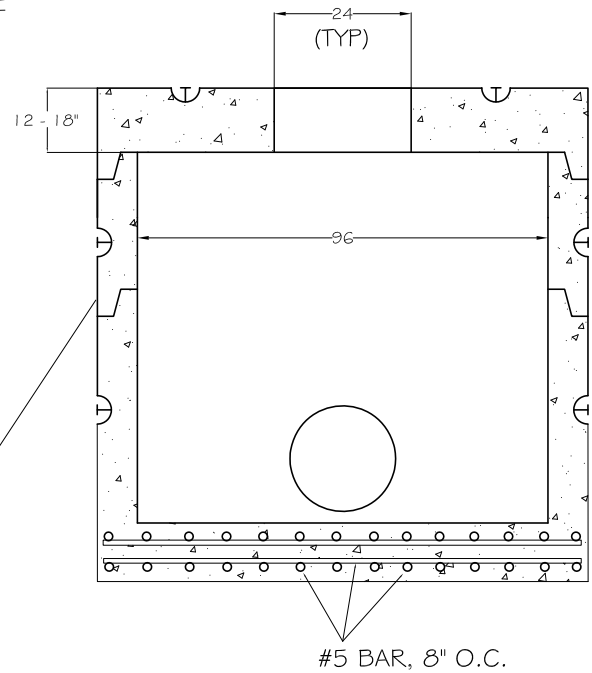
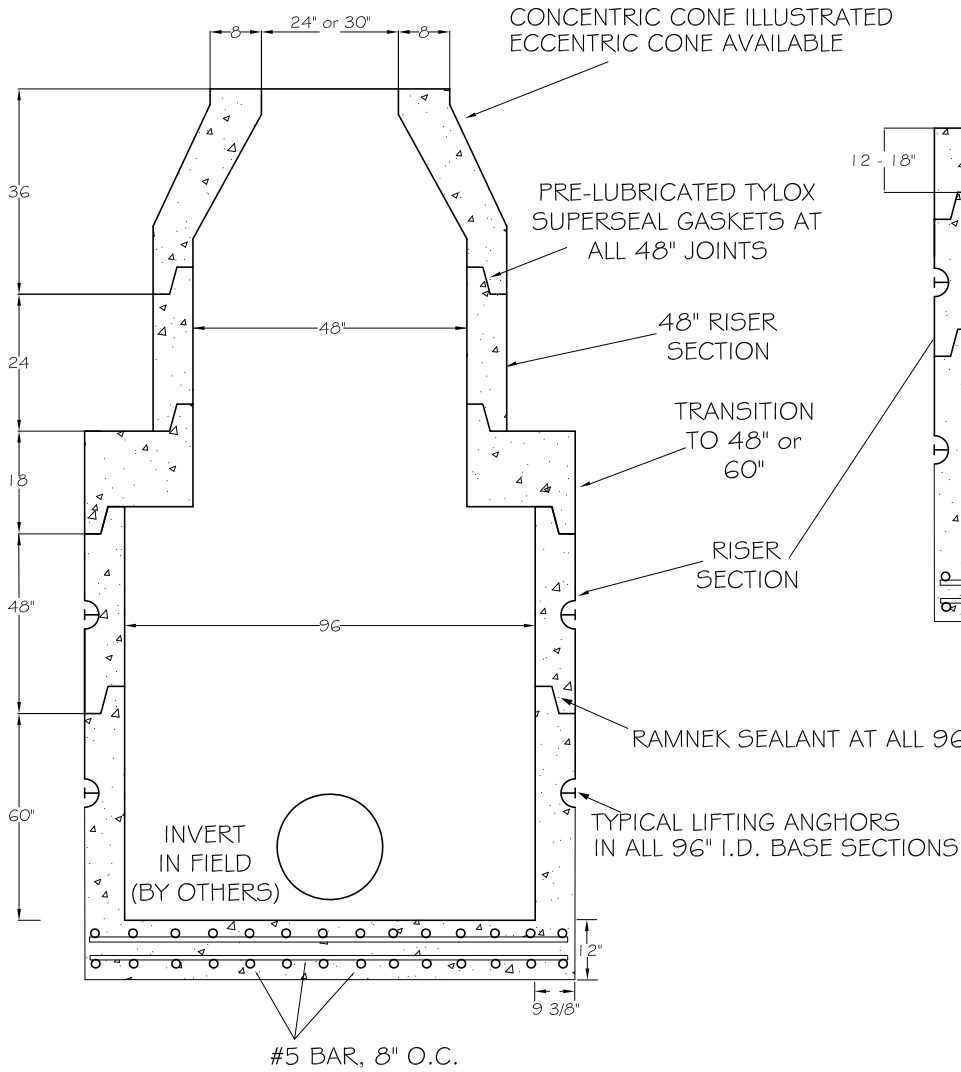


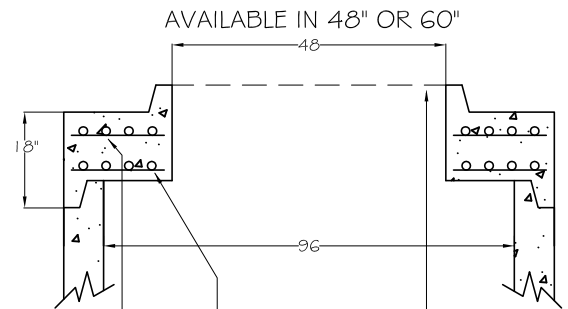
FLATTOP ILLUSTRATION



STRAIGHT BASE
SHOWN / EXTENDED
BASE AVAILABLE

96" I.D. MANHOLE - STRAIGHT BASE
WITH REDUCING CONE

ADAPTER SECTION



GR. 60, #5 BAR, CONTINUOUS
AROUND OPENING

GR. 60, #5 BAR, 8" O.C.E.A. WAY
GR. 60, #5 BAR, 12" O.C.E.A. WAY

GENERAL NOTES:

- RAMNEK SEALANT AT ALL PIPE CONNECTIONS
- AVG. WEIGHT OF 48" DEPTH BASE = 22,600# - RISER WEIGHT = 3,100# / VT.F
- MANUFACTURED TO YOUR SPECIFICATIONS

The Turner Company			11049 Highway 287 Rhome, Tx 76078 (817) 638-9053
Product:			96" I.D. MANHOLE - STRAIGHT BASE
Concrete:			5,000 PSI MIN. - 28 DAY STRENGTH
Reinforcement:			MEETS OR EXCEEDS ASTM-C-478-95 REQUIREMENT
Size:	Date:	DWG No.	
Weight:			