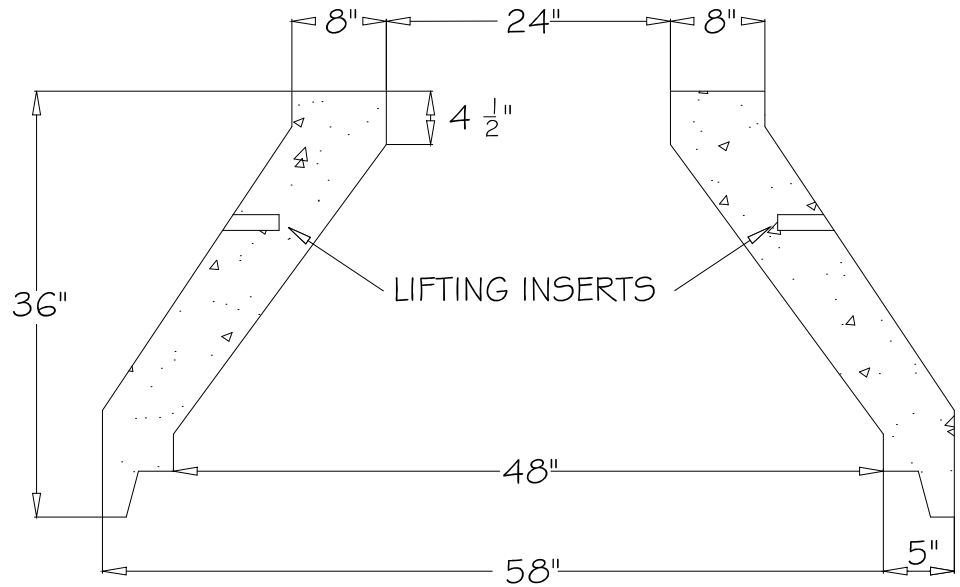
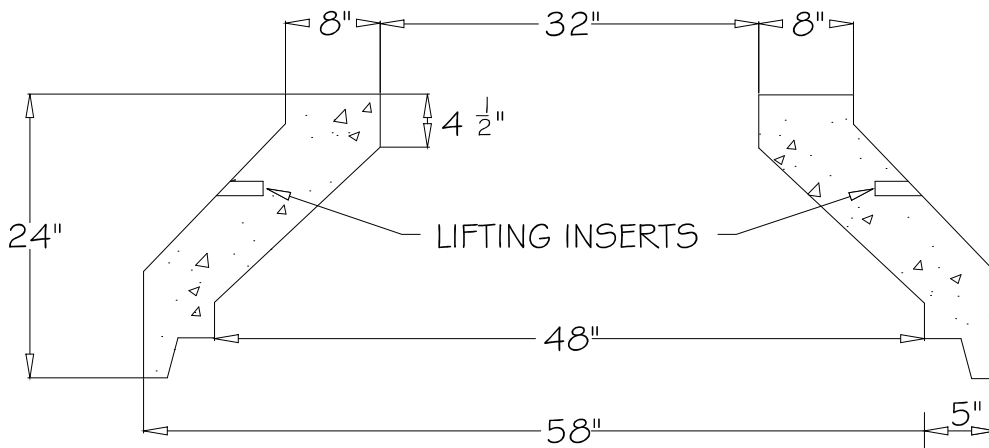


36" REGULAR CONE

AVAILABLE IN HEIGHTS
OF: 24" ,30" & 36"



24" REGULAR CONE



The Turner Company

11049 Highway 287
Rhome, Tx 76078
(817) 638-9053

Product:

MANHOLE REDUCING CONE DETAIL

Concrete:

4,500 PSI MIN. - 28 DAY STRENGTH

Reinforcement:

MEETS OR EXCEEDS ASTM-C-478-95 REQUIREMENT

Size:

Date:

DWG No.

48" CONE #1

Weight: