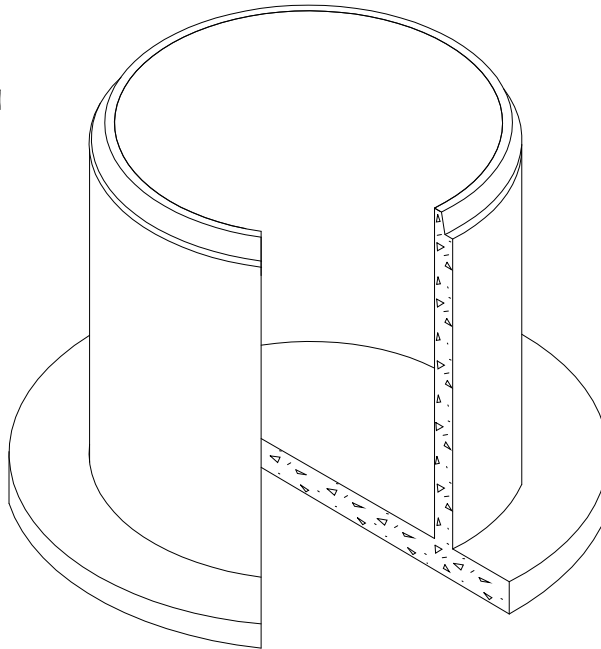
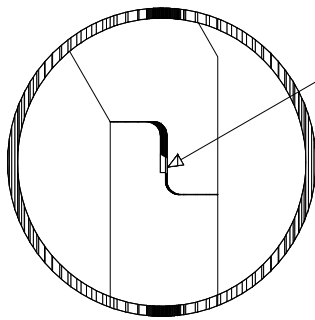


ISOMETRIC VIEW
TOUNGE JOINT SHOWN



JOINT DETAIL



GASKET MATERIAL IS
RECOMMENDED

ALSO AVAILABLE IN:

HEIGHT	WEIGHT W/INVERT
2' - 0"	5,000 LBS.
2' - 6"	5,400 LBS.
3' - 0"	5,800 LBS.

The Turner Company

11049 Highway 287
Rhome, Tx 76078
(817) 638-9053

Product:
48" DIAMETER BASE UNIT

Concrete:
4500 PSI MINIMUM

Reinforcement:
MEETS OR EXCEEDS ASTM-C-478-95 REQUIREMENT

Size: Date: DWG No.

Weight: