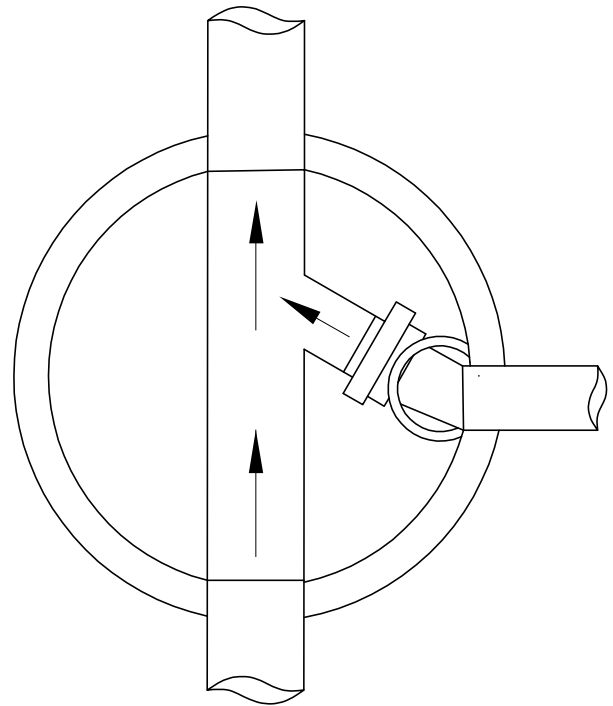


48" I.D. OUTSIDE DROP MANHOLE - EXTENDED BASE WITH REDUCING CONE

MFG Per ASTM C478  
Gasket Joint Per ASTM c443



GENERAL NOTES:

- WATER TIGHT GASKETS AT ALL PIPE CONNECTIONS
- HOLES SPECIFIED - MAX. DIA = 28"DIA.
- AVG. WEIGHT OF OF 24" DEPTH BASE W/8" INVERT = 5000# - RISER WEIGHT = 800#/VT.F
- MANUFACTURED TO YOUR SPECIFICATIONS
- INVERT DEPTH SHALL BE EQUAL TO THE LARGEST PIPE DIAMETER

<h2>The Turner Company</h2>		11049 Highway 287 Rhome, Tx 76078 (817) 638-9053	
		Product: <b>48" I.D. OUTSIDE DROP MANHOLE- EXTENDED BASE</b>	
Concrete:		5,000 PSI MIN. - 28 DAY STRENGTH	
Reinforcement:		MEETS OR EXCEEDS ASTM-C-478-95 REQUIREMENT	
Size:	Date:	DWG No.	
Weight:			