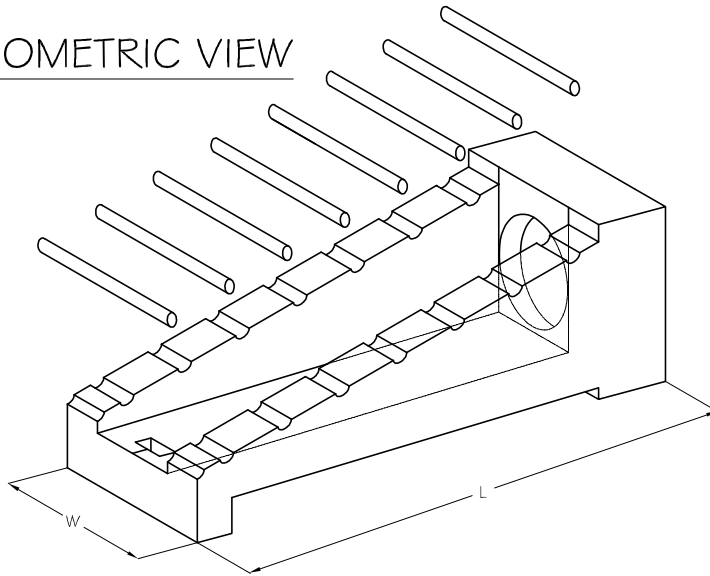
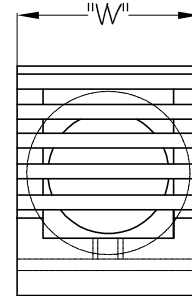


ISOMETRIC VIEW

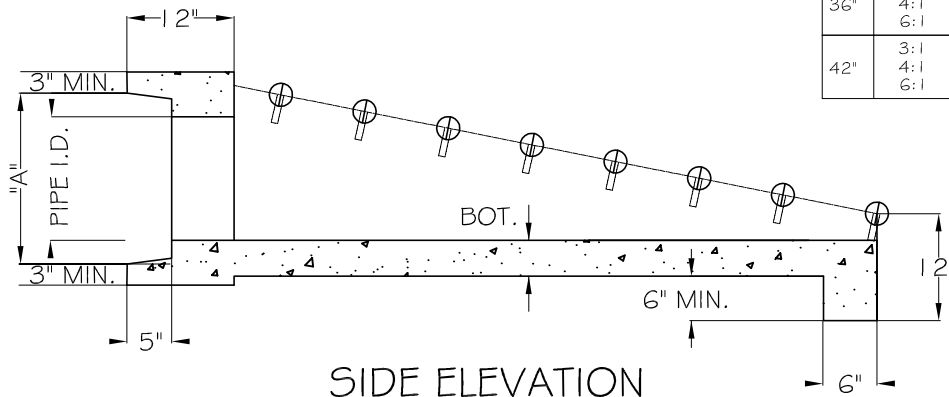


REAR ELEVATION



SPECIFICATION CHART:

PIPE I.D.	SLOPE	WEIGHT	W	L	WALL	BOT.	A
12"	6:1	2327LBS	26'	84'	5"	5"	18"
15"	4:1	2050LBS	26'	60'	5"	5"	20 1/2"
	6:1	2605LBS	26'	84'	5"	5"	20 1/2"
18"	3:1	1750LBS	30'	55'	5"	5"	24"
	4:1	2050LBS	30'	68'	5"	5"	24"
	6:1	2800LBS	30'	98'	5"	5"	24"
24"	3:1	3125LBS	35'	81'	5"	5"	31"
	4:1	3850LBS	35'	104'	5"	5"	31"
	6:1	4975LBS	35'	150'	5"	5"	31"
30"	3:1	5225LBS	46'	97'	6"	6"	38 1/2"
	4:1	6500LBS	46'	125'	6"	6"	38 1/2"
	6:1	9200LBS	46'	186'	6"	6"	38 1/2"
36"	3:1	7000LBS	52'	119'	6"	6"	46"
	4:1	8850LBS	52'	154'	6"	6"	46"
	6:1	12500LBS	52'	228'	6"	6"	46"
42"	3:1	10875LBS	61'	142'	8"	6"	53"
	4:1	13750LBS	61'	186'	8"	6"	53"
	6:1	19750LBS	61'	276'	8"	6"	53"



SIDE ELEVATION

SPECIFICATIONS:

1. CONCRETE: HAS A DESIGN STRENGTH OF 5,000 PSI AT 28 DAYS
2. STEEL REINFORCEMENT: ASTM A-615 GRADE 60 OR ASTM A-497 WELDED WIRE FABRIC
3. LOADING: DESIGNED FOR H20 LOADING
4. C.I. CASTINGS: ASTM A48, CLASS 30/35.

The Turner Co.

DRAWN BY: DJH	JOB NO:	DATE: 7/1/2010
CUSTOMER & PRODUCT		JOB NAME
SAFETY END TREATMENT - TYPE P		