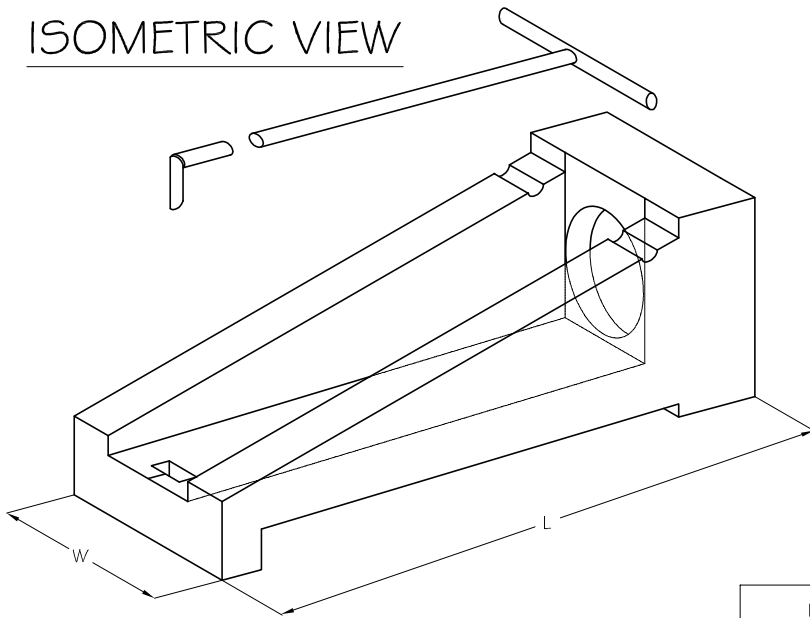
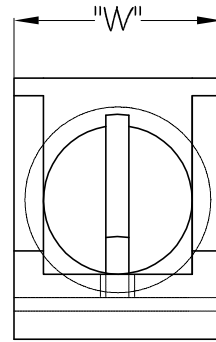


ISOMETRIC VIEW

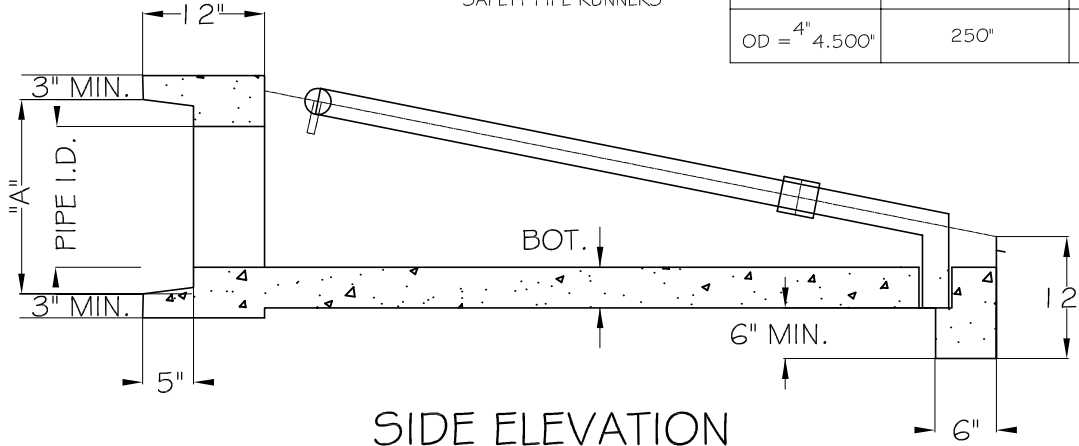


REAR ELEVATION



ANCHOR PIPE MAY BE ABOVE MATERIALS AND SHALL HAVE AN O.D. OF 1/4" TO 5/8" LESS THAN THE I.D. OF THE SAFETY PIPE RUNNERS

MAXIMUM PIPE "J" FOR A GIVEN PIPE SIZE AND YIELD				
NOM. DIA.	YIELD	35 KSI ASTM A53 TYPE E 8 5 GR. B	42 KSI ASTM A500 GR. B	52 KSI API5LX52
OD = 3 1/2"	4.000"	186"	223"	276"
OD = 4"	4.500"	250"	300"	361"



SIDE ELEVATION

Specifications

1. Concrete: Concrete Has a Design Strength of 5000 PSI At 28 Days.
2. Reinforcement: ASTM A-615 Grade 60 or ASTM A-197 Welded Wire Fabric.
3. Loading: Designed for H-20 Loading
4. C.I. Castings: ASTMA-48, Class 30/35

SPECIFICATION CHART:

PIPE I.D.	SLOPE	WEIGHT	W	L	J	WALL	BOT.	A	B
18"	4:1	2050LBS	30"	68"	57"	5"	5"	24"	4" O.D.
24"	4:1	3850LBS	35"	104"	83"	5"	5"	31"	4" O.D.
36"	3:1	7000LBS	52"	119"	96"	6"	6"	46"	4" O.D.
	4:1	8850LBS	52"	154"	130"	6"	6"	46"	4" O.D.
	6:1	12500LBS	52"	228"	203"	6"	6"	46"	4 1/2" O.D.
42"	3:1	10875LBS	61"	142"	117"	8"	6"	53"	4" O.D.
	4:1	13750LBS	61"	186"	156"	8"	6"	53"	4" O.D.
	6:1	19750LBS	61"	276"	246"	8"	6"	53"	4 1/2" O.D.

The Turner Co.

DRAWN BY: DJH JOB NO: DATE: 11/2/2010
 CUSTOMER & PRODUCT
**SAFETY END TREATMENT
 TYPE C**