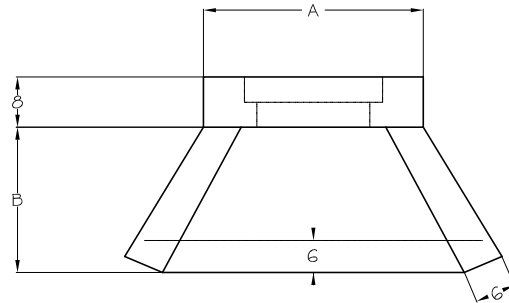
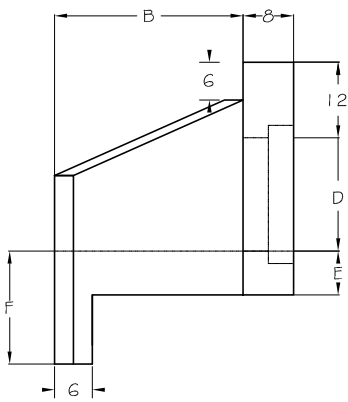


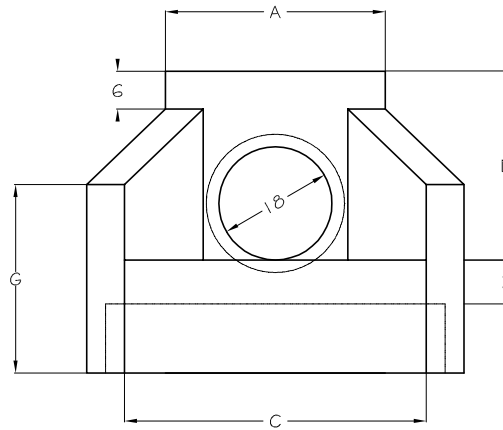
ISOMETRIC VIEW



PLAN VIEW



SIDE ELEVATION



FRONT ELEVATION

PIPE I.D.	12"	15"	18"	24"	30"	36"
A	35"	35"	35"	42"	49"	56"
B	24"	24"	24"	36"	60"	60"
C	48"	48"	48"	69"	111"	111.50"
D	30"	30"	30"	36"	41"	60"
E	7"	7"	7"	9"	7"	6"
F	18"	18"	18"	18"	16"	18"
G	30"	30"	30"	29"	27"	30"
WEIGHT IN LBS.	2170	2170	2170	4000	4965	6700

SEE CHART FOR ADDITIONAL
SIZES AND SPECIFICATIONS

SPECIFICATIONS:

1. Concrete: Concrete Has a Design Strength of 5000 PSI At 28 Days.
2. Reinforcement: ASTM A-615 Grade 60
3. Loading: Designed for H2O Loading.

**The
Turner Co.**

DRAWN BY: DJH JOB NO: DATE: 8/23/2010

CUSTOMER & PRODUCT
HEADWALLS